

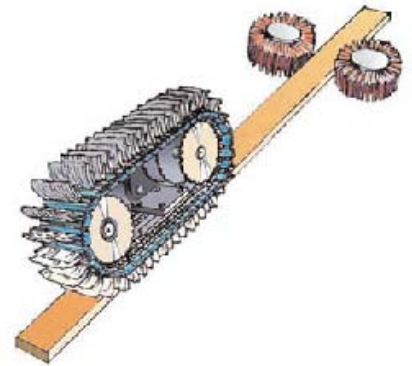
November 7, 2006

We propose to ship the following:

Quote #123456789

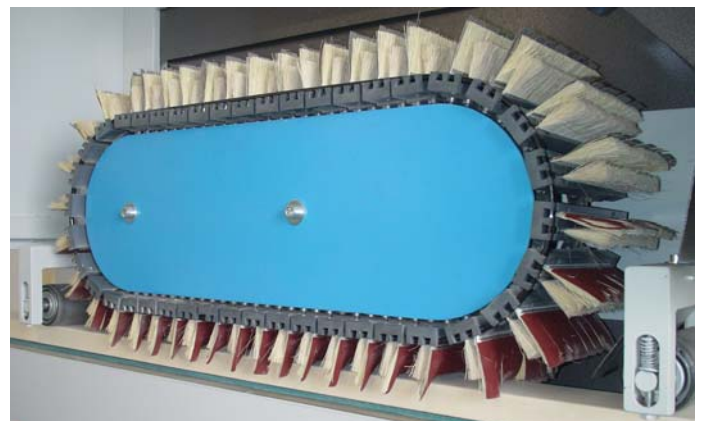
LÖWER – MultiMaster Brush Belt Series Lineal sanders

The Löwer Brush Belt Series is the latest innovation from Löwer that combines their proven sanding strip technology with a unique belt design for the finish sanding of lineal mouldings. The extended contact time provided by the brush belt is ideal for lineal sanding applications where high sanding quality and/or high feed speeds are required. Combined with side sanding heads the ultimate sanding finish is achieved.



These units feature:

- Completely enclosed machine designs for a clean and safe work environment
- Infinitely variable speed brush belt
- Infinitely variable feed speeds
- Spring loaded hold down rollers
- Motorized height adjustment
- Digital display height position
- Working widths of 150mm (6") and 300mm (12")



US standards in measurement are an approximation

